

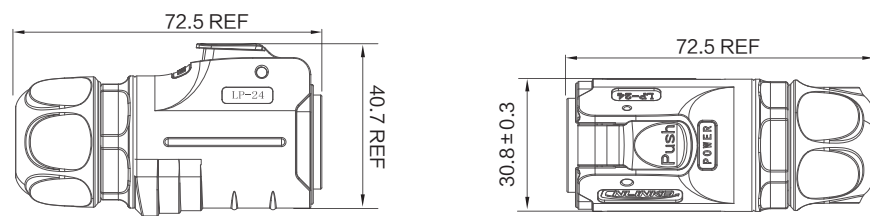
LP-24 Datasheet

LP-24

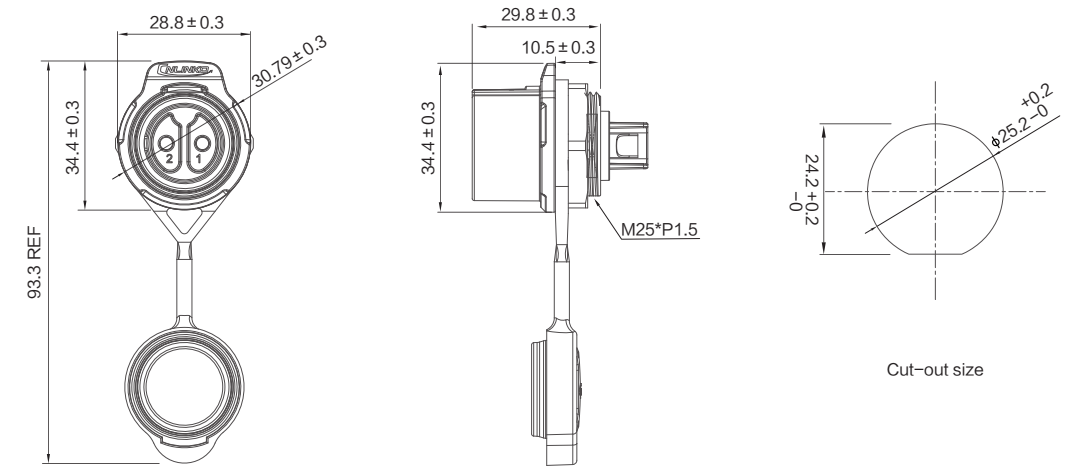
LP24 Power/Signal	Product Series	LP-24										LP-24								
	Pin Number	2PIN		3PIN		4PIN		10PIN		12PIN		19PIN	24PIN	RJ45	HDMI	USB2.0	USB3.0	Optical fiber		
	Application Type Section																			
	Current Rating	35A		45A		25A		10A		10A		5A		1.5A	0.5A	500mA	900mA	—		
	Voltage Rating	AC 500V						AC 400V		AC 400V		AC 250V		AC 125V	AC 5V					
	Cable O.D Range	≤ φ 14.0mm										≤ φ 14.0mm								
	Wire Size	6.0mm ² /10AWG		8.0mm ² /8AWG Electronic wire		4.0mm ² /12AWG		1.5mm ² /16AWG		1.5mm ² /16AWG		0.5mm ² /20AWG		—	—	—	—			
	Protection Level	Standard is IP65, IP67&IP68 Option Available										Standard is IP65, IP67&IP68 Option Available								
	Assembly Method	Soldering		Soldering / Screwing			Soldering		Soldering											
Illustration	Material	Part No										Part No								
	Plastic / Metal	Male	LP-24-C02PE-01-035	LP-24-C03PE-01-035	LP-24-C03PE-01-050	LP-24-C04PE-01-001	LP-24-C10PE-01-001A	LP-24-C12PE-01-001A	LP-24-C19PE-01-001A	LP-24-C24PE-01-001A	LP-24-C/RJ45/015/PE-41-001	LP24-HDMI-MP-MP-1M-001	LP-24-C/USB3/016/PE-43-001	LP24-USB3-MP-MP-1M-001	LP-24-C/LC/016/PE-41-004	LP-24-C/LC/016/PE-41-001				
		Female	LP-24-J02PE-01-035A	LP-24-J03PE-01-035	LP-24-J03PE-01-050	LP-24-J04PE-01-001	LP-24-J10PE-01-001A	LP-24-J12PE-01-001A	LP-24-J19PE-01-001A	LP-24-J24PE-01-001A	—	—	—	—	—	—				
	Plastic / Metal	Male	LP-24-C02PP-01-035	LP-24-C03PP-01-035A	LP-24-C03PP-01-050	LP-24-C04PP-01-001	LP-24-C10PP-01-001	LP-24-C12PP-01-001	LP-24-C19PP-01-001	LP-24-C24PP-01-001	—	—	—	—	—					
		Female	LP-24-J02PP-01-035	LP-24-J03PP-01-035A	LP-24-J03PP-01-050	LP-24-J04PP-01-001	LP-24-J10PP-01-001	LP-24-J12PP-01-001	LP-24-J19PP-01-001	LP-24-J24PP-01-001	—	—	—	—	—					
	Plastic / Metal	Male	LP-24-C02SX-03-135	LP-24-C03SX-03-135A	LP-24-C03SX-03-150	LP-24-C04SX-03-101	LP-24-C10SX-03-101	LP-24-C12SX-03-101	LP-24-C19SX-03-101	LP-24-C24SX-03-101	—	—	—	—	—					
		Female	LP-24-J02SX-03-135	LP-24-J03SX-03-135A	LP-24-J03SX-03-150	LP-24-J04SX-03-101	LP-24-J10SX-03-101	LP-24-J12SX-03-101	LP-24-J19SX-03-101	LP-24-J24SX-03-101	LP-24-J/RJ45/213/SX-43-102A	LP-24-J/HDMI2/213/SX-43-101A	LP-24-J/USB2/213/SX-43-101A	LP-24-J/USB3/213/SX-43-101A	LP-24-J/LC/213/SX-43-101A	LP-24-J/LC/213/SX-43-102A				
	Plastic / Metal	Male	LP-24-C02SX-03-435	LP-24-C03SX-03-435	LP-24-C03SX-03-450	LP-24-C04SX-03-401	LP-24-C10SX-03-401A	LP-24-C12SX-03-401A	LP-24-C19SX-03-401A	LP-24-C24SX-03-401A	—	—	—	—	—					
		Female	LP-24-J02SX-03-435	LP-24-J03SX-03-435	LP-24-J03SX-03-450	LP-24-J04SX-03-401	LP-24-J10SX-03-401A	LP-24-J12SX-03-401A	LP-24-J19SX-03-401A	LP-24-J24SX-03-401A	LP-24-J/RJ45/213/SX-43-408	LP-24-J/HDMI2/213/SX-43-401	LP-24-J/USB2/213/SX-43-101A	LP-24-J/USB3/213/SX-43-401A	LP-24-J/LC/213/SX-43-402	LP-24-J/LC/213/SX-43-401				

LP-24 Dimension Drawing (unit: mm)

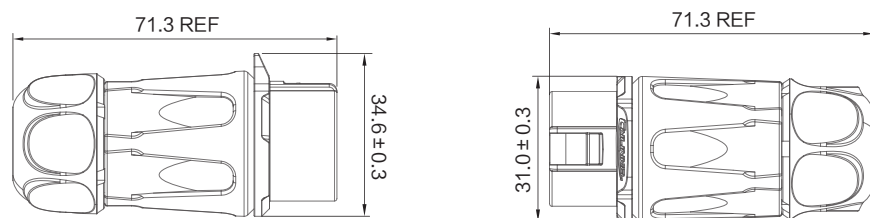
Plug



Single hole straight receptacle



In-line receptacle



Four-hole flange receptacle

