

Industrial universal pressure transmitter

Product model: FST800-211A

Features

- ✓ Advanced glass micro-melting technology, flexible overall structure design, no leakage hazard
- ✓ Efficient lightning protection, anti-radio frequency and electromagnetic interference protection
- ✓ Advanced digital temperature compensation function, wide operating temperature range
- ✓ High precision, high frequency response, good long-term stability



Scope of application

- ◇ Industrial process detection and control
- ◇ Hydraulic and pneumatic control system
- ◇ Industrial machinery manufacturing
- ◇ Automated detection system
- ◇ Pumping station and water treatment system

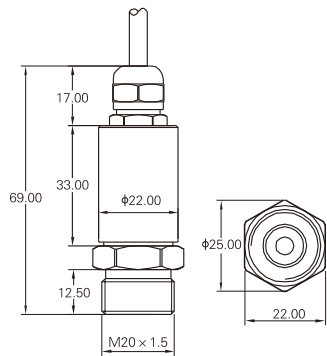
Technical Parameters

Type of pressure	Gauge pressure, absolute pressure, sealed pressure												
Pressure range (bar)	6	10	16	25	40	60	100	160	200	250	300	500	600
Signal output	4~20mA		0.5-4.5VDC (proportional output)			0.5~4.5VDC		0~5VDC		0~10VDC			
Signal line specifications	2Wire		3Wire			3Wire		3Wire		3Wire			
Supply voltage	9~30VDC		5VDC			9~30VDC		9~30VDC		15~30VDC			
Precision	±0.5%FS		±1%FS			Breaking pressure		500%FS					
Long-term stability (1 year)	±0.1%FS					Mechanical vibration		±20g					
Response frequency (-3dB)	3.2kHz					Impact (11ms)		100g					
Temperature compensation	-20~+85°C					Protection level		Ip65					
Operating temperature	-40~+85°C					Material		17-4PH					
Storage temperature	-40~+105°C					Overload pressure		300%FS					
Electrical connections	Direct lead, M12 connector, Packard connector, Hirschmann (Mini), Hirschmann (DIN43650)												
Pressure port	M20×1.5 G1/4 NPT1/4 (other customized as required)												
Electromagnetic compatibility (EMC)	EN61000-6												
Certification items	CE RoHS												

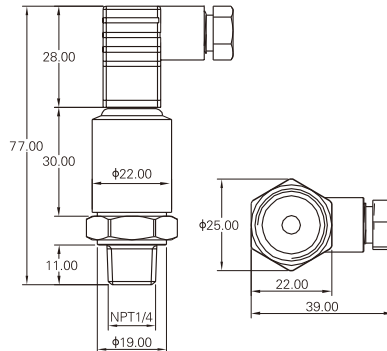
Industrial universal pressure transmitter

Product model: FST800-211A

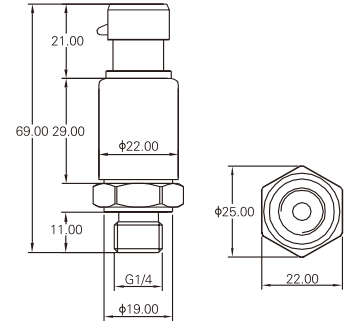
Product dimensions



Direct lead

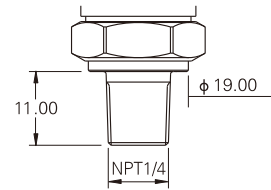
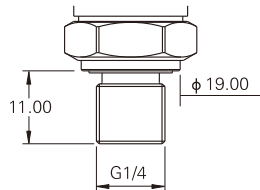
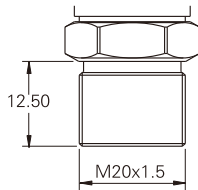


Mini-Hirschmann connector

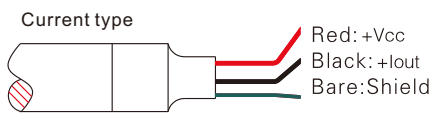


Packard connector

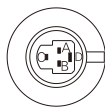
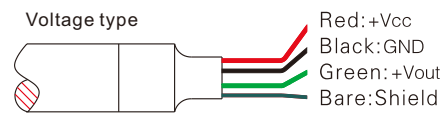
Pressure port size



Electrical interface and wiring method

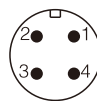


Direct lead



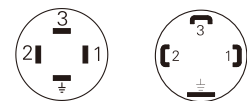
4-20mA	A	+Vcc	Red
	B	+Iout	Black
0.5-4.5VDC 0-5VDC 0-10VDC	A	+Vcc	Red
	B	GND	Black
	C	+Vout	Green

Packard connector



4-20mA	1	+Vcc	Red/Brown
	3	+Iout	Black/Blue
0.5-4.5VDC 0-5VDC 0-10VDC	1	+Vcc	Red/Brown
	2	+Vout	Green/White
	3	GND	Black/Blue

M12 connector



4-20mA	1	+Vcc	Red
	2	+Iout	Black
0.5-4.5VDC 0-5VDC 0-10VDC	1	+Vcc	Red
	2	+Vout	Green
	3	GND	Black
	±		Shield

Hirschmann connector