

# Wind Speed Sensor

Product number:FST200-201

F200-201 Wind speed sensor is a highly reliable, high-performance wind speed measurement sensor. The product output and environmental wind speed formation of electrical signals. The products have built-in strong anti-radio frequency, anti-electromagnetic interference, and lightning protection and waves. Suitable for high -altitude operations, construction machinery, port machinery, etc., the main structural parts are produced by alloy materials and are processed on the surface. The products have good waterproof and corrosion resistance. The invasion of water, salt mist, sand and dust.

## ◆ Features

- ✓ The principle of non -contact magnetic sensing measurement, high measurement accuracy, strong reliability;
- ✓ The overall use of aluminum alloy material, polyester coating, strong wind resistance and corrosion resistance
- ✓ Wide wind speed measurement range, low start wind speed
- ✓ Compact design and easy installation
- ✓ Mercy fault -tolerant design is used in accordance with the protection of sensor circuit



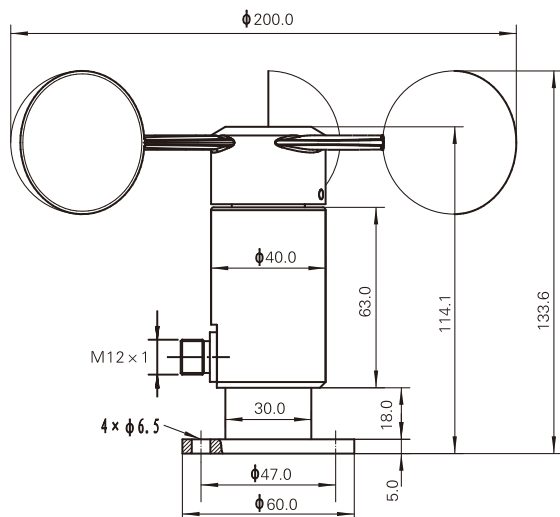
## ◆ Scope of application

- ◇ Monitoring and control of working at heights
- ◇ Monitoring and control of weather stations and environmental protection
- ◇ Wind speed monitoring of wind turbines, large mechanical equipment, etc.
- ◇ Monitoring and control of other industrial processes related to wind speed safety

## ◆ Technical parameter

Operating Voltage	12~30VDC	Measuring range	0.5~50m/S
Output signal	Standard 4 ~ 20mA optional 0 ~ 5V, 0 ~ 10V	Start wind speed	≤0.5m/S
Precision	±0.5m/S(<5m/S); ±3 %FS(≥5m/S)	Material	Aluminum alloy /polyester coating
Operating temperature	-20~+85°C Humidity: 0%~95% (non-condensing)	Protection class	Ip65
Wind resistance	Straight> 70m/s 30min	Wave protection	EMCIII level

## ◆ Product dimensions and electrical connection



M12 connector	Wire system	Output signal	Sequence	Wiring Rules	
	3-Wire	Current type	1	+Vcc	Brown
			2	+Iout	White
			3	GND	Blue
			4	PE	Black
	3-Wire	Voltage type	1	+Vcc	Brown
			2	+Vout	White
			3	GND	Blue
			4	PE	Black
	3-Wire	Pulse	1	+Vcc	Brown
			2	+P <sub>ovt</sub>	White
			3	GND	Blue
			4	PE	Black