




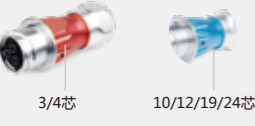













DH-24 Data Sheet

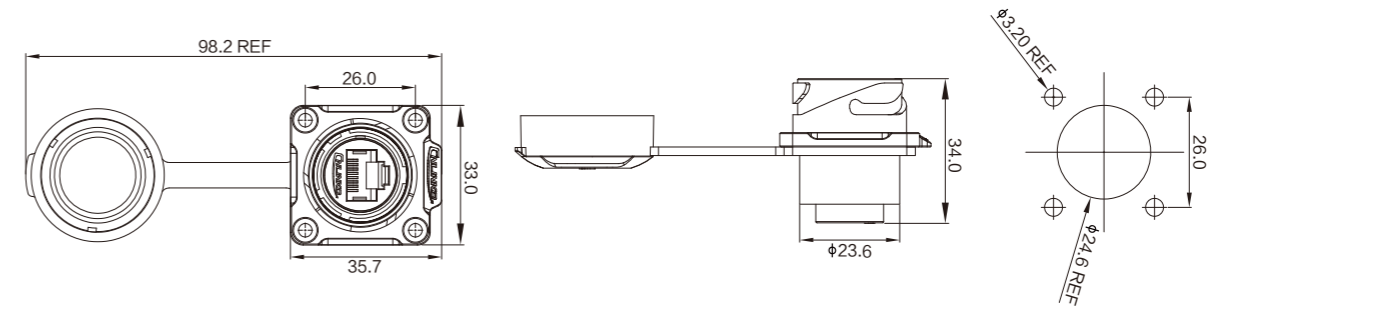
M24 Power + Signal	Product Series	DH-24															
	Pin Number	3PIN		4PIN		10PIN		12PIN		19PIN		24PIN	RJ45	HDMI	USB	FIBER	
	Section diagram	PIN	Mounting	PIN	Mounting	PIN	Mounting	PIN	Mounting	PIN	Mounting	PIN	Mounting				
	Current Rating	25A				10A				5A				—		—	
	Voltage Rating	AC 500V				AC 400V				AC 250V				—		—	
	Cable range	Ø10.0~Ø14.0mm				Ø10.0~Ø13.0mm				Ø8.0~Ø14.0mm				Ø5.0~Ø6.5mm			
	Wire Gauge	2.5~4.0mm ² /14 -12AWG				1.0~1.5mm ² /18 -16AWG				0.15~0.2mm ² /26 -24AWG				26-24AWG			
	IP Protection Class (Mated)	IP67 (Mated)															
Termination	Soldering																
Product Picture	material	Part Number (The bold font is a best-sell products)															
Cable connector  3/4芯 10/12/19/24芯	Male	DH-24-C03PE-03-001	DH-24-C04PE-03-001	DH-24-C10PE-03-001	DH-24-C12PE-03-001	DH-24-C19PE-03-001	DH-24-C24PE-03-001	—	—	—	—	—	—	—	—		
	Female	DH-24-J03PE-03-001	DH-24-J04PE-03-001	DH-24-J10PE-03-001	DH-24-J12PE-03-001	DH-24-J19PE-03-001	DH-24-J24PE-03-001	—	—	—	—	—	—	—	—		
In-line Cable connector  3/4芯 10/12/19/24芯	Female	DH-24-J03PP-03-001	DH-24-J04PP-03-001	DH-24-J10PP-03-001	DH-24-J12PP-03-001	DH-24-J19PP-03-001	DH-24-C24PP-03-001	—	—	—	—	—	—	—	—		
	Male	—	—	—	—	—	—	—	—	—	—	—	—	—	—		
Flange Mounting  3/4芯 10/12/19/24芯	Male	DH-24-C03SX-03-401	DH-24-C04SX-03-401	DH-24-C10SX-03-401	DH-24-C12SX-03-401	DH-24-C19SX-03-401	DH-24-C24SX-03-401	—	—	—	—	—	—	—	—		
	Female	DH-24-J03SX-03-401	DH-24-J04SX-03-401	DH-24-J10SX-03-401	DH-24-J12SX-03-401	DH-24-J19SX-03-401	DH-24-J24SX-03-401	—	—	—	—	—	—	—	—		
Panel Mounting Rear Locking 	Male	DH-24-C03SX-03-101	DH-24-C04SX-03-101	DH-24-C10SX-03-101	DH-24-C12SX-03-101	DH-24-C19SX-03-101	DH-24-C24SX-03-101	—	—	—	—	—	—	—	—		
	Female	DH-24-J03SX-03-101	DH-24-J04SX-03-101	DH-24-J10SX-03-101	DH-24-J12SX-03-101	DH-24-J19SX-03-101	DH-24-J24SX-03-101	—	—	—	—	—	—	—	—		
Flange Mounting with Metal chain 	Male	DH-24-C03SX-03-402	DH-24-C04SX-03-402	DH-24-C10SX-03-402	DH-24-C12SX-03-402	DH-24-C19SX-03-402	DH-24-C24SX-03-402	—	—	—	—	—	—	—	—		
	Female	DH-24-J03SX-03-402	DH-24-J04SX-03-402	DH-24-J10SX-03-402	DH-24-J12SX-03-402	DH-24-J19SX-03-402	DH-24-J24SX-03-402	—	—	—	—	—	—	—	—		

DH-24 Data Sheet

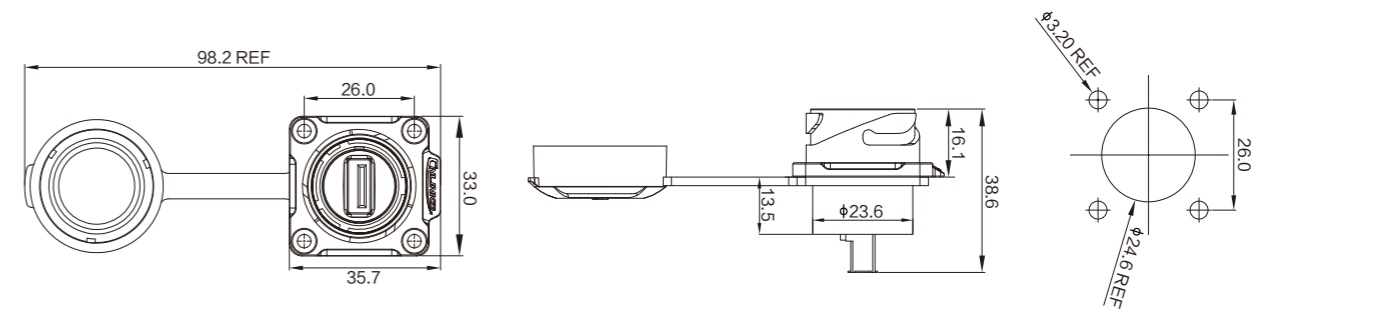
M24 Power + Signal	Product Series	DH-24			
	Pin Number	RJ45	HDMI	USB	FIBER
	Section diagram				
	Current Rating	—			—
	Voltage Rating	—			—
	Cable range	Ø5.0~Ø6.5mm			
	Wire Gauge	26-24AWG			—
	IP Protection Class (Mated)	IP67 (Mated)			
	Termination	Soldering			
	Termination	Soldering			
Product Picture	material	Part Number			
RJ45	Metal	Male	DH-24-C/RJ45/015/PE-43-001		
 ①		Female	DH-24-J/RJ45/213/SX-43-401		
		Female	DH-24-J/RJ45/213/SX-43-402		
FIBER		Male	DH-24-C/LC/016/PE-43-001		
 ①		Female	DH-24-J/LC/213/SX-43-401		
		Female	DH-24-J/LC/213/SX-43-101		
USB		Male	DH-24-C/USB3/016/PE-43-001		
 ①		Female	DH-24-J/USB3/213/SX-43-401		
		Female	DH-24-J/USB3/213/SX-43-402		
		Female	DH-24-J/USB3/213/SX-43-402		
HDMI		Male	DH-24-C/HDMI2/016/PE-43-001		
		Female	DH-24-J/HDMI2/213/SX-43-402		

DH-24 Appearance Dimension

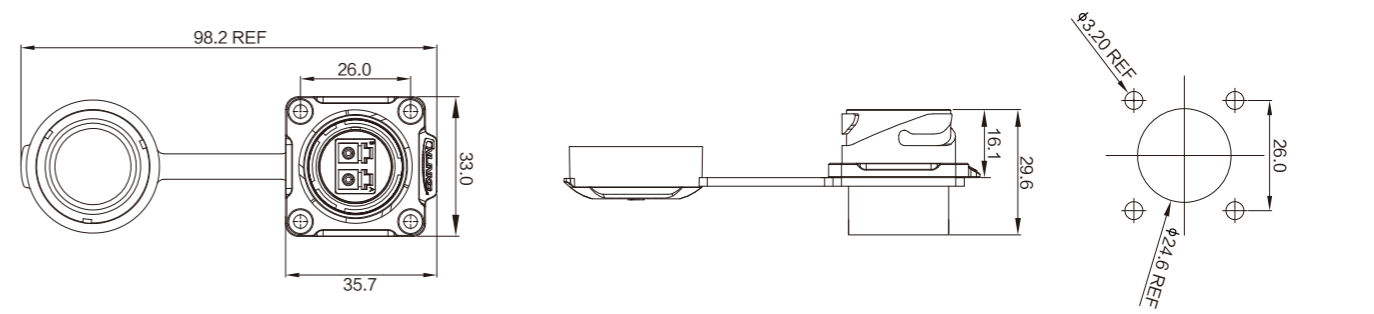
RJ45 Flange Panel Mounting



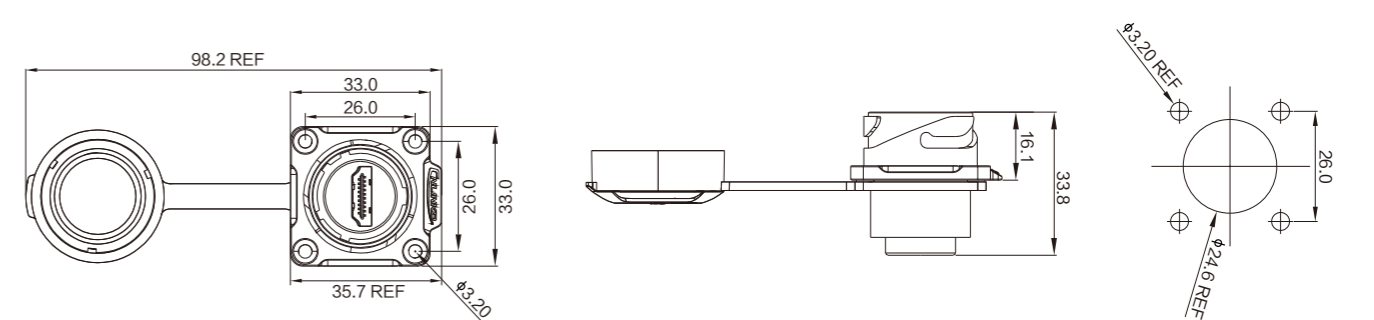
USB Flange Panel Mounting



FIBER Flange Panel Mounting

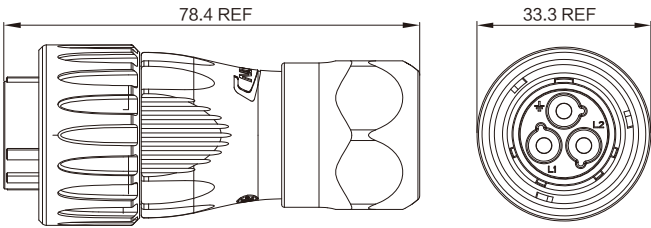


HDMI Flange Panel Mounting

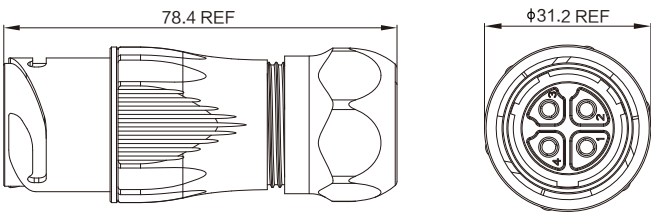


DH-24 Appearance Dimension

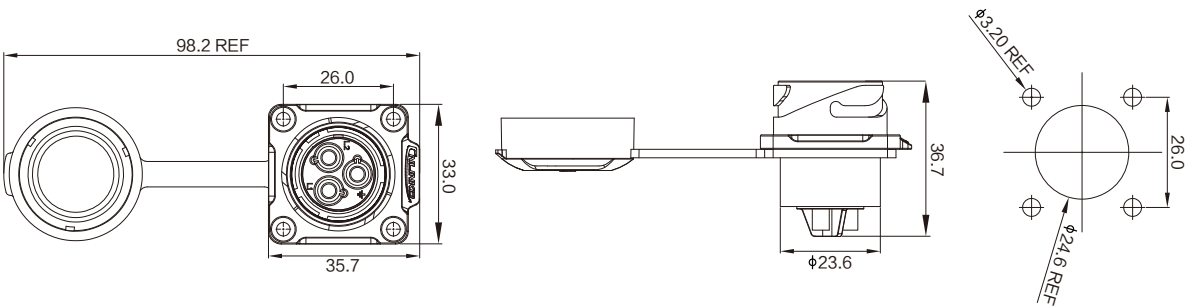
Cable connector



In-line Cable connector



Flange Mounting



Panel Mounting Rear Locking

