

YF-24 Power Connector

Linko Electric's international standard YF-24 series power connector is designed with a unique plug-in locking method, which is easy to operate, safe and stable. Use color to distinguish the input and output of the power supply, thus effectively distinguishing the input and output terminals, and with the power coupler, can be used in the external mobile connection at the same time, increasing the flexibility of the device.



Latch design international universal equipment power connector

The block internal design and the integrated plastic case provide a safe and stable connection transmission performance, ensuring the stability of the electrical performance of the device during use.

Product application type:

Power: 3 Pin

The power connection can work up to 500V, rated current is 20A, and optional input/output connectors are available.

- Power cable range: ϕ 5.0~ ϕ 14.0mm



- IP Protection Class (Mated): IP65
- Rated current: 20A

- IP Protection Class (Mated): IP44
- Rated current: 20A

- Multiple color distinctions
Paired with different color schemes, flexible pairing

- Left and right sockets
Differentiate the sockets to distinguish applications

Power Connector

Cable connector



YF-24-J03PE-02-001



YF-24-J03PE-02-002



YF-24-C03PE-02-001



YF-24-C03PE-02-002

Flange Mounting



YF-24-C03SX-02-001



YF-24-C03SX-02-002



YF-24-J03SX-02-001



YF-24-J03SX-02-002

Accessories



Waterproof Cap



Screws

- Waterproof Cap In the condition non-working , it has dust and water-proof
- Screws Fastener for socket and panel.



Unique Quick Lock Design



Locating Key



Gold-plated Copper Contact



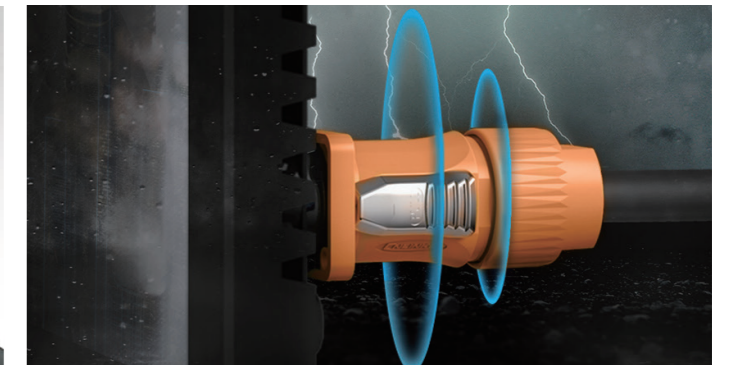
Waterproof Rubber Ring

Characteristics



Latch Design system

- Unique snap-on + plug-in connection locking system for a more secure connection.



Excellent waterproof performance

- In the connected state, the protection level is IP65 and IP44, which is the device. Provide good electrical protection



- Panel mounting installation

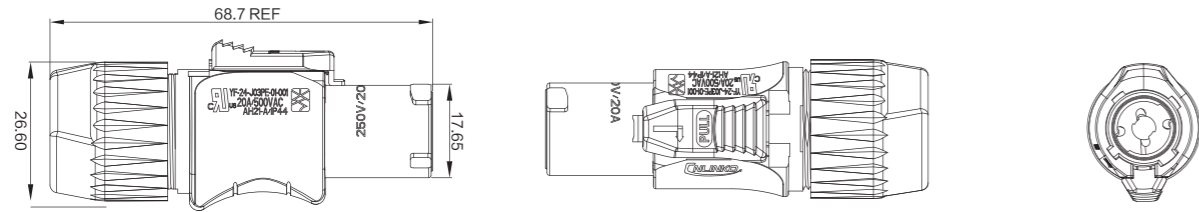


Termination

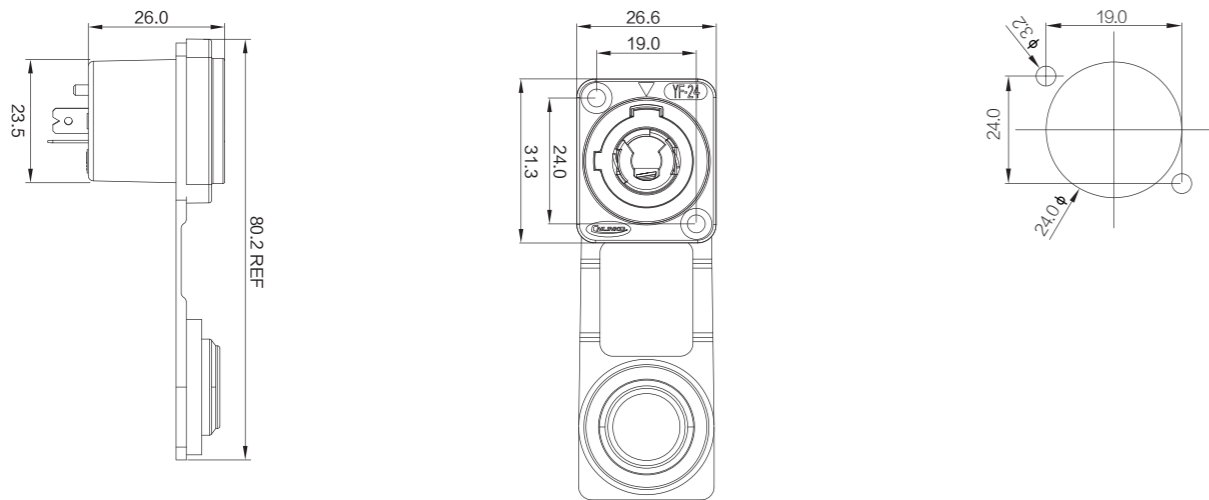
- The Linko YF-24 waterproof connector plug uses a lock screw connection.

Appearance Dimension

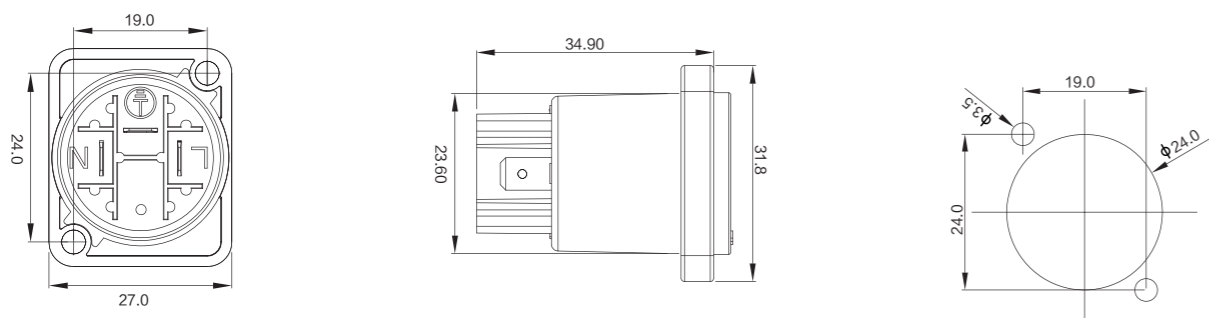
Cable connector



IP65 Panel Mounting



IP44 Panel Mounting



Data Sheet

M24 Power	Product Series	YF-24
	Section diagram	
	Current Rating	20A
	Voltage Rating	AC 500V
	Cable range	Ø9.0~Ø14.0mm
	Wire Gauge	2.5~4.0mm ² /14-12AWG
	IP Protection Class (Mated)	IP65(Mated)
	Termination	Cable connector screwing / Panel Mounting soldering

Cable connector

YF-24-J03PE-01-001 (IP44 Right) YF-24-J03PE-02-001 (IP65 Right)	YF-24-C03PE-01-001 (IP44 Left) YF-24-C03PE-02-001 (IP65 Left)	YF-24-C03PE-02-002 (IP65 Left)	YF-24-J03PE-02-002 (IP65 Left)

Panel Mounting

YF-24-C03SX-02-001 (IP65 Right)	YF-24-J03SX-02-001 (IP65 Left)	YF-24-J03SX-02-002 (IP65 Left)	YF-24-C03SX-02-002 (IP65 Right)

Converter

			—
YF-24-J03SX-03-200 (IP44)	YF-24-J03SX-01-200 (IP44)	YF-24-C03SX-01-200 (IP44)	