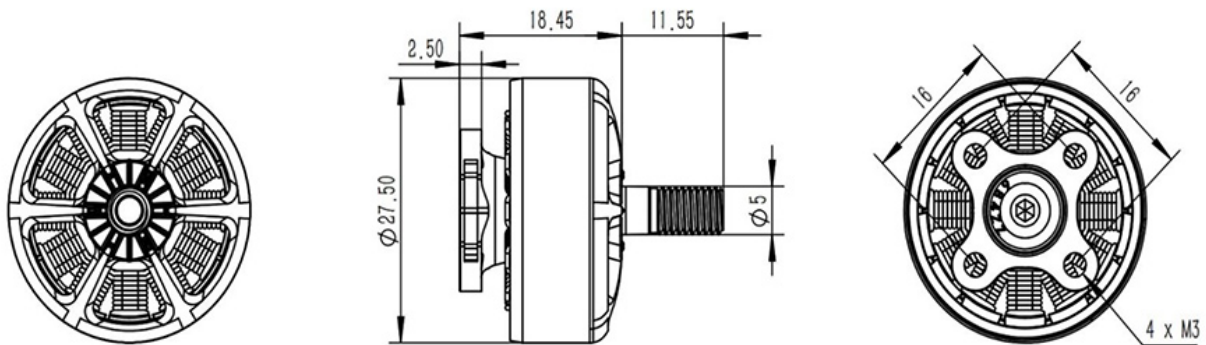


# DATURA 2207.5-1960KV

Technical Datas	
KV	1960
Configu-ration	12N14P
Stator Diamter	22mm
Stator Length	7.5mm
Shaft Diameter	4mm(Hollow)
Motor Dimension(Dia.*Len)	Φ 27.5*30mm
Weight(g)	32 (3cm Wire)
Idle current(10)@10V(A)	1.1
No.of Cells(Lipo)	4~6S
Max Continuous Power(W) 3S	1134
Internal Resistance	54mΩ
Max Current(3S)	51.1A
Max.Efficiency Current	(5-9A)>84%



Prop (inch)	Voltages (V)	Throttle (%)	Load Currency (A)	Pull(g)	Power(W)	Efficiency(g/W)	Temperature(in full throttle load 3's)
DAL T5143.5	22.2	50%	7.8	576	173.2	3.326	71°C
		100%	38.3	1652	850.3	1.943	
DAL T5146.5	22.2	50%	9.2	662	204.2	3.241	75°C
		100%	41.1	1750	912.4	1.918	
DAL T5147.5	22.2	50%	7.5	565	166.5	3.393	70°C
		100%	36.3	1554	805.9	1.928	
DAL T5148.5	22.2	50%	9.2	658	204.2	3.222	76°C
		100%	41.4	1745	919.1	1.899	
DAL N1	22.2	50%	9.5	713	210.9	3.381	75°C
		100%	40.8	1780	905.8	1.965	
DAL N2	22.2	50%	8.5	614	188.7	3.254	74°C
		100%	40.5	1659	899.1	1.845	
DAL T5046C	22.2	50%	9.5	731	210.9	3.466	77°C
		100%	43.6	1920	967.9	1.984	
DAL F6	22.2	50%	11.5	829	255.3	3.247	85°C(HOT)
		100%	51.1	2001	1134.4	1.764	