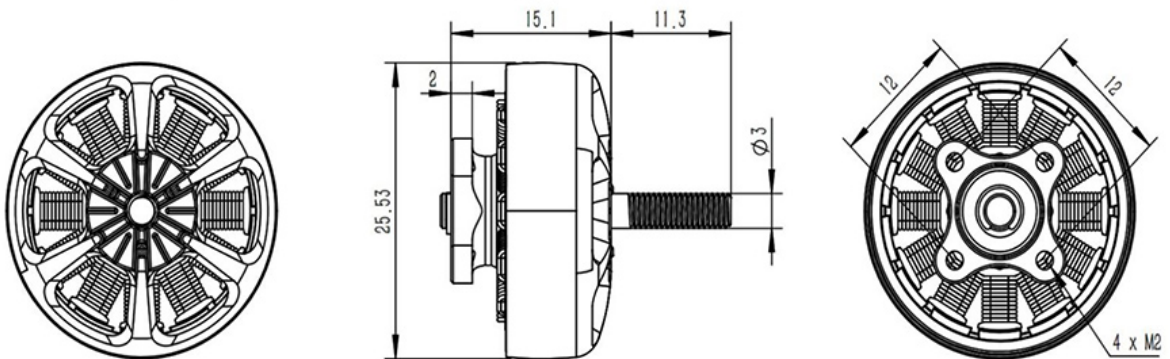


DATURA 2105.5-1650KV

Technical Datas

KV	1650
Configu-ration	12N14P
Stator Diamter	21mm
Stator Length	5.5mm
Shaft Diameter	3mm(in) M3(out)
Motor Dimension(Dia.*Len)	Φ 25.53*26.4mm
Weight(g)	21 (3cm Wire)
Idle current(10)@10V(A)	0.6
No.of Cells(Lipo)	4~6S
Max Continuous Power(W)3S	413
Internal Resistance	190mΩ
Max Current(3S)	18.6A
Max.Efficiency Current	(2-4A)>84%



Prop (inch)	Voltages (V)	Throttle (%)	Load Current (A)	Pull(g)	Power(W)	Efficiency(g/W)	Temperature(in full throttle load 3's)
GF D76*5	22.2	50%	2.3	167	51.1	3.271	66°C
		100%	10.8	493	239.8	2.056	
HQ 76*8	22.2	50%	2.6	168	57.7	2.911	68°C
		100%	12.8	527	284.2	1.855	
GF D90*3	22.2	50%	2.6	211	57.7	3.656	66°C
		100%	11.5	610	255.3	2.389	
DAL T5126	14.8	50%	0.9	112	13.3	8.408	60°C
		100%	6.5	370	96.2	3.846	
	22.2	50%	2.8	246	62.2	3.958	68°C
		100%	12.8	762	284.2	2.682	
GF 5125	14.8	50%	1.9	179	28.1	6.366	65°C
		100%	10.5	628	155.4	4.041	
	22.2	50%	3.2	315	71.0	4.434	72°C
		100%	16.6	1007	368.5	2.733	
DAL 5139.5	14.8	50%	1.9	184	28.1	6.543	67°C
		100%	12.2	618	180.6	3.423	
	22.2	50%	3.5	335	77.7	4.311	75°C
		100%	18.6	953	412.9	2.308	