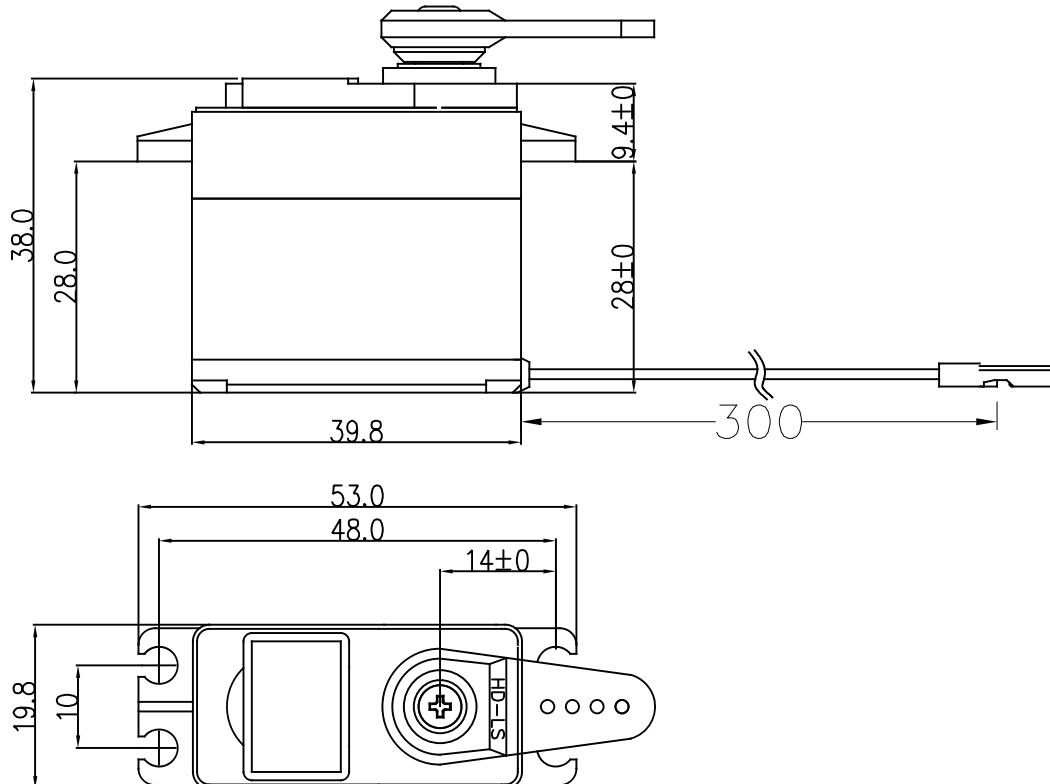


# GENERAL SPECIFICATION OF D485HW WIDE VOLTAGE SERVO

## 1. TECHNICAL VALUES

CONTROL SYSTEM	:+PULSE WIDTH CONTROL 1500usec NEUTRAL		
OPERATING VOLTAGE RANGE	:3.5V TO 8.4V		
OPERATING TEMPERATURE RANGE	:-20°C TO +60°C(-4°F TO +140°F)		
TEST VOLTAGE	:AT 4.8V	AT 6.0V	AT 7.4V
OPERATING SPEED	:0.20sec/60°	0.17sec	0.15sec/60°
STALL TORQUE	:5.2kg.cm	6.4kg.cm	7.5kg.cm
IDLE CURRENT	:30mA	30mA	30mA
RUNNING CURRENT	:250mA	280mA	320mA
STALL CURRENT	:1000mA	1200mA	1500mA
DEAD BAND WIDTH	:2usec	2usec	2usec
OPERATING TRAVEL	:40°/ONE SIDE PULSE TRAVELING 400usec		
DIRECTION	:CLOCK WISE/PULSE TRAVELING 1500 TO 1900usec		
MOTOR TYPE	:CORED METAL BRUSH		
POTENTIOMETER TYPE	:1M CYCLE LONG LIFE/INDIRECT DRIVE		
AMPLIFIER TYPE	:DIGITAL PROGRAMMABLE AMPLIFIER WITH MOSFET DRIVE		
DIMENSIONS	:39.8x19.8x38.0mm(1.57x0.78x1.49in)		
WEIGHT	:45g±5%		
BALL BEARING	:TOP/MR106		
GEAR MATERIAL	:KARBONITE RESIN		
HORN GEAR SPLINE	:25 SEGMENTS/ø6		
SPLINED HORNS	:R-X25, R-I25, HD-IM25		
CONNECTOR WIRE LENGTH	:300mm(11.81in)		
CONNECTOR WIRE STRAND COUNTER	:40EA		
CONNECTOR WIRE GAUGE	:25AWG		



## 2. FEATURES

STANDARD SIZED HIGH VOLTAGE SERVO  
PROGRAMMABLE DIGITAL  
HEAVY DUTY METAL GEARS

## 3. APPLICATIONS

POPULAR MODELS